

# BLS 5000 SERIES



REUSABLE FULL FACE MASKS WITH UNIVERSAL CONNECTION RD40

BLS 5000 series reusable full face masks are available in silicone or thermoplastic rubber. They are characterized by the single thread connection, EN148-1 certified, to be used in combination with our wide range of universal filters (BLS 400 series) that protect against gas/vapors and toxic particulates.



## HARNESS

Fixed on 6 connection points, BLS 5000 series harness guarantees a highly precise adjustment by distributing the pressure on the face uniformly.



## FACE SEAL

Available in soft but resistant TPE (BLS 5150) or soft, very comfortable and anallergic silicon, which is also characterized by a very good resistance to high heat (BLS 5400).

## NEW INNER HALF MASK

The inner half mask, made of soft TPE, has been redesigned to better fit the facial profile, and is easily replaceable.

## UNIVERSAL CONNECTION

Universal threaded connection for respiratory protective equipment, standardized according to EN 148-1.

## PHONIC MEMBRANE (BLS 5400)

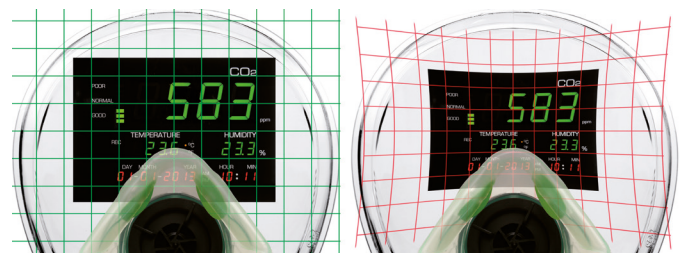
An aluminium layer, inside the breathing unit of the device, enables the transmission of vocal sound.

## ANTI-FOG

Designed to avoid visor fogging through the control of the cold and hot air flowing inside the mask without perishable surface treatments.

## SCRATCH RESISTANT VISOR, OPTICAL CLASS 1 (EN 166)

The screen allows a panoramic visual field without optical distortions. A vitrification treatment on its surface makes it scratch resistant and ensures a good resistance to the aggression of a number of chemicals (non-scratched screen). In chemical applications however, the use of a visor cover is always recommended.



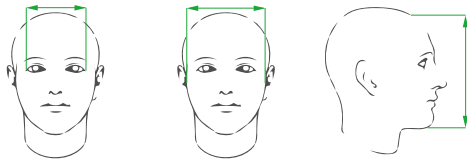
# BLS 5000 SERIES



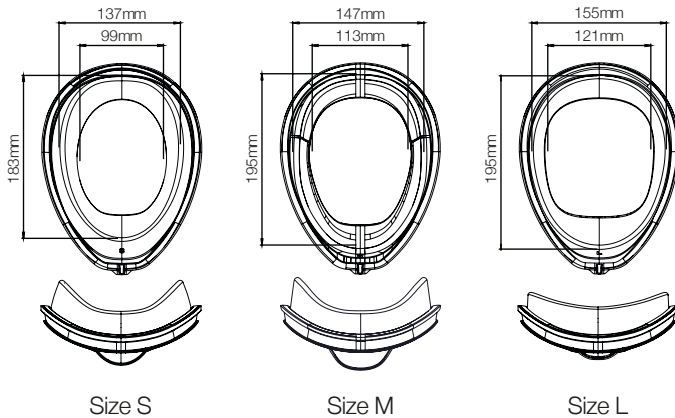
REUSABLE FULL FACE MASKS WITH UNIVERSAL CONNECTION RD40

## AVAILABLE SIZES

BLS 5400 full face mask is available in Small, Medium and Large size, to perfectly fit all facial profiles.



<b>S</b>	<b>99mm</b>	<b>137mm</b>	<b>183mm</b>
<b>M</b>	<b>113mm</b>	<b>147mm</b>	<b>195mm</b>
<b>L</b>	<b>121mm</b>	<b>155mm</b>	<b>195mm</b>



## SILICON vs TPE

Main features of the 2 materials:

- Silicon – Smooth touch surface; higher mechanical and thermal stress resistance. In general terms, better resistance to chemicals, especially organic compounds, like solvents; more stable to UV rays, better resistance to ageing. Our silicon is FDA approved.
- TPE – Easier to mould and to recycle. Good resistance to inorganic compounds.

*NOTE: both our silicon and TPE are anallergic (Test report from Centrocot SpA n. 24RA05613 and 24RA05611 dated June 2024).*

# BLS 5000 SERIES



## REUSABLE FULL FACE MASKS WITH UNIVERSAL CONNECTION RD40

### MATERIALS

FACE SEAL BLS 5400	Silicone
FACE SEAL BLS 5150	Thermoplastic elastomer (TPE)
VISOR	Polycarbonate (PC) + vitrification
FILTER HOLDER	Polyamide (PA)
HARNESS	EPDM
INNER HALF MASK	Thermoplastic elastomer (TPE)
SPEECH DIAPHRAGM (BLS 5400 only)	Aluminum
NECK LANYARD (BLS 5400 only)	Polyester (PES)

*All components in direct contact with user's face are LATEX FREE  
Full face masks BLS 5150 and BLS 5400 are Made in Europe, as well as all their components*

### TECHNICAL DATA

MODEL	FACE SEAL	DEVICE CLASS	OPTICAL CLASS EN 166	CONNECTION	NPF (particle and combined filter)	NPF (gas filter)
BLS 5400	Silicone	3	1	EN148-1 (Universal)	1000*TLV (P3)	2000*TLV
BLS 5150	Thermoplastic	3	1	EN148-1 (Universal)	1000*TLV (P3)	2000*TLV

*(TLV) Threshold Limit Value (NPF) Nominal Protection Factor*

### TRANSPORT

MODEL	CODE	SIZE	WEIGHT (g)	Q.TY/BOX	Q.TY/CARTON	WEIGHT CARTON (Kg)
BLS 5400	8102019	S	556	1	4	3,54
BLS 5400	8001039	M	536	1	4	3,46
BLS 5400	8102020	L	506	1	4	2,56
BLS 5150	8001035	M	489	1	4	3,42

### STORAGE

SHELF-LIFE	10 years
TEMPERATURE	-10°C/+50°C
RELATIVE HUMIDITY	80% max

### CERTIFICATION

BLS full face masks are:

- Certified according to European Regulation 2016/425 (Personal Protective Equipments)
- Certified as PPE of III category, in presumption of conformity to harmonized standard EN 136:1998
- Certified and controlled according to Annex D by Italcert S.r.l. (Notified Body n°0426)
- CE marked

BLS management system is ISO 9001 certified.

# BLS 5000 SERIES



REUSABLE FULL FACE MASKS WITH UNIVERSAL CONNECTION RD40

## AVAILABLE MODELS



Full face masks  
BLS 5400 - BLS 5150

## COMPATIBLE DEVICES



Filters  
BLS 400 series

## DEVICES WITH THE SAME CONNECTION



Half mask  
BLS SGE46



Full face masks  
BLS 3150



Full face masks  
BLS 2150/2150V

## COMPATIBLE FILTERS

CODE	PRODUCT	PROTECTION	COLOUR CODE
8011013	401 P3 R <sup>(2)</sup>	Dust	○
8011002	411 A2	Organic gases and vapours, class 2	●
8011023	412 AX	Organic gases and vapours with a boiling point lower than 65° C	●
8011005	413 K2	Ammonia and derivatives, class 2	●
8011016	414 ABE2	Organic, inorganic and acid gases and vapours, class 2	● ● ●
8011007	415 ABEK2	Organic, inorganic and acid gases and vapours and ammonia and derivatives, class 2	● ● ● ●
8011008	421 A2P3 R	Organic gases and vapours, class 2 and dust	● ○
8011024	422 AXP3 NR	Organic gases and vapours with a boiling point lower than 65°C and dust	● ○
8011017	423 ABE2P3 R <sup>(1)</sup>	Organic, inorganic and acid gases and vapours, class 2 and dust	● ● ● ● ○
8011022	424 ABEK1P3 R	Organic, inorganic and acid gases and vapours, ammonia, class 1 and dust	● ● ● ● ● ○
8011012	425 ABEK2P3 R <sup>(1)</sup>	Organic, inorganic and acid gases and vapours, ammonia, class 2 and dust	● ● ● ● ● ○
8011014	430 ABEK2HgP3 R <sup>(1)</sup>	Organic, inorganic and acid gases and vapours and ammonia and derivatives class 2 mercury vapours and dust	● ● ● ● ● ● ○
8117004	441 ABEK2HgNOCOP3 R <sup>(1)</sup>	Organic, inorganic, acid gases and vapours, ammonia and derivatives, mercury vapor, sulfur dioxide, nitrous gases, carbon monoxide, and dust	● ● ● ● ● ● ● ● ○
8117005	442 Reaktor A2P3 R D (1)	Organic vapours and radioactive iodine, including radioactive iodomethane	● ○

<sup>(1)</sup> these filters cannot be used with half masks because their weight is greater than 300g

<sup>(2)</sup> these filters have been tested with Nano Filtration technology

## FIELDS OF USE

The use of a full face mask is advisable in the following situations:

- when the user is exposed to contaminants which are aggressive both for the breathing apparatus and the eyes
- when the concentration of the contaminant is higher than the protection factor of halfmasks with filters.

Nominal Protection factor for full face masks: 1.000 x TLV with dusts and combined filters; 2.000 x TLV with gas filters.

# BLS 5000 SERIES



REUSABLE FULL FACE MASKS WITH UNIVERSAL CONNECTION RD40

## LIMITATIONS OF USE

Do not use the full face mask when:

- oxygen concentration is < 17%
- the contaminants are not known or in concentrations higher than the NPF of the device.

*NOTE: it is unlikely that a correct fit is achieved in case of users with beard or glasses*

## ACCESSORIES



**C41** – Washable bag with shoulder belt.



**C22** – Frame for prescription lenses.



**C90** – Wall mounted container.



**Q409** – 150ml disinfectant spray bottle.



**Q530** – Multi-purpose disinfectant wipes.



**K15** – Polycarbonate visor cover.



**K19** – Acetate visor cover.

## INSTRUMENTATION

### BLS Ma.Tech Connect 200 – code 8105063

Test bench to check proper sealing of the filtering mask, with the possibility to record and print a report to keep track of the maintenance activities performed on the mask. Test bench enables both manual and automatic static leak testing of filtering masks, SCBA as well as gas-tight clothing, in the low and medium pressure range.



## SELECTION GUIDE

### FULL FACE MASK VS HALF MASK

- Provides a much higher Nominal Protection Factor: 1.000 x TLV with dusts and combined filters; 2.000 x TLV with gas filters
- Protects face and eyes from dust, splinters and chemicals
- Supports filters with a total weight higher than 300 g.

## IMPORTANT

BLS declines any responsibility, direct or indirect, from any misuse of both devices and instructions. User is responsible for the determination of product compliance with the intended use.